



## INSTALLATION MANUAL



**Big Daddy Games LLC**

733 Midway Road  
Menasha, WI 54952

TEL: (920) 727-5508

*www.bigdaddygames.net*  
*sales@bigdaddygames.net*

**TECH-DIRECT**

**(920) 850-7409**



## Table of Contents

MAX CONNECT BASIC System Setup Overview .....	1
Items Required for MAX CONNECT GAME Setup .....	2
GAME iConnect Board Diagram .....	3
Setting up the MAX CONNECT GAME System .....	4
Daisy-Chaining MAX CONNECT POS to GAME to GAME.....	7
Reset GAME iConnect Board Display Pulse Values.....	9
Items Required for the POS Setup .....	12
POS iConnect Board Diagram .....	13
Setting up the MAX CONNECT POS System .....	14
TROUBLESHOOTING.....	16
I don't remember my Operator User Login Password.....	16
POS will not boot up .....	16
POS shows Error #7 Code.....	16
POS is "stuck" and unable to exit from current page .....	16
POS still shows GAME boxes grayed out "Offline" .....	16
POS is not recognizing the new GAME connection installed.....	16
POS is "stuck" in the BDG Logo Blue Screen after Micro-SD Card Replacement .....	17
POS is endlessly waiting on GAME Pulses after Cash Out .....	17
POS is unable to Cash Out Game from the POS screen .....	17
POS is waiting for Meter Pulses from GAME with ZERO Credits .....	17
iConnect Harness Diagram.....	18
iConnect Board and Wire Harness Diagram .....	19



# MAX CONNECT INSTALLATION GUIDE

## MAX CONNECT BASIC System Setup Overview



MAX CONNECT POS - Main user access point for Operator and Location settings as well as bookkeeping.



GAME that is Daisy Chain connected to the POS with the iConnect Board.



*\*MAX CONNECT is able to Daisy Chain connect up to 99 GAMES with the iConnect board.*



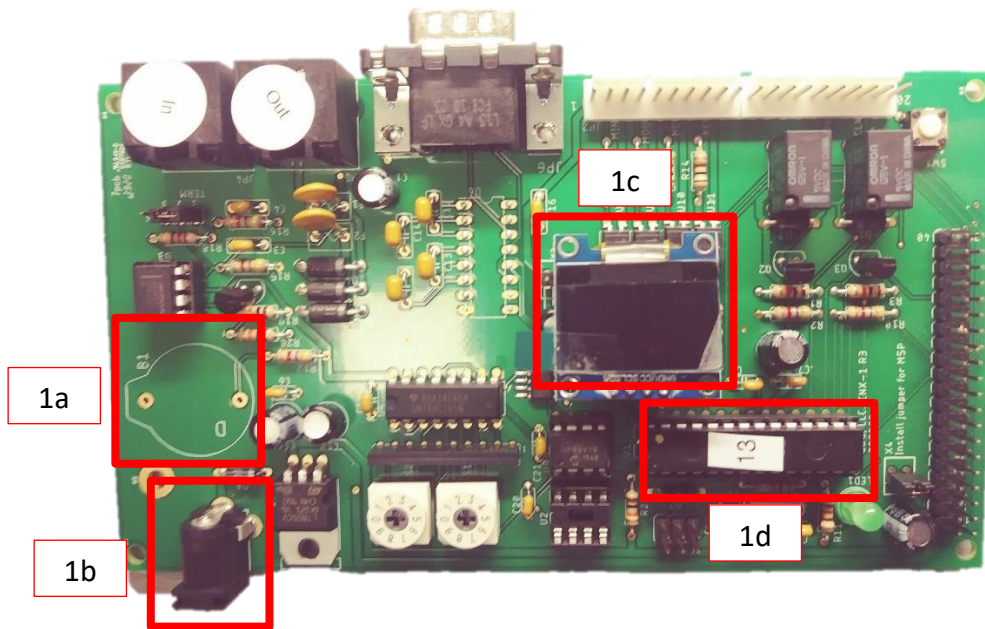


# **GAME iConnect INSTALLATION**

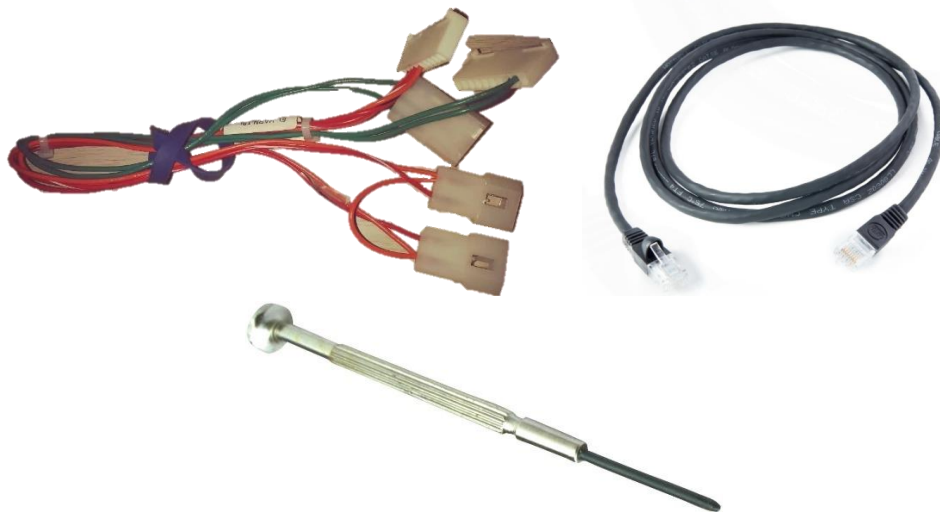
# MAX CONNECT INSTALLATION GUIDE

## Items Required for MAX CONNECT GAME Setup

1. iConnect Board setup for GAME
  - a. RTC Clock **NOT** installed
  - b. Power Supply
  - c. iConnect Display
  - d. U1 Chip **installed**



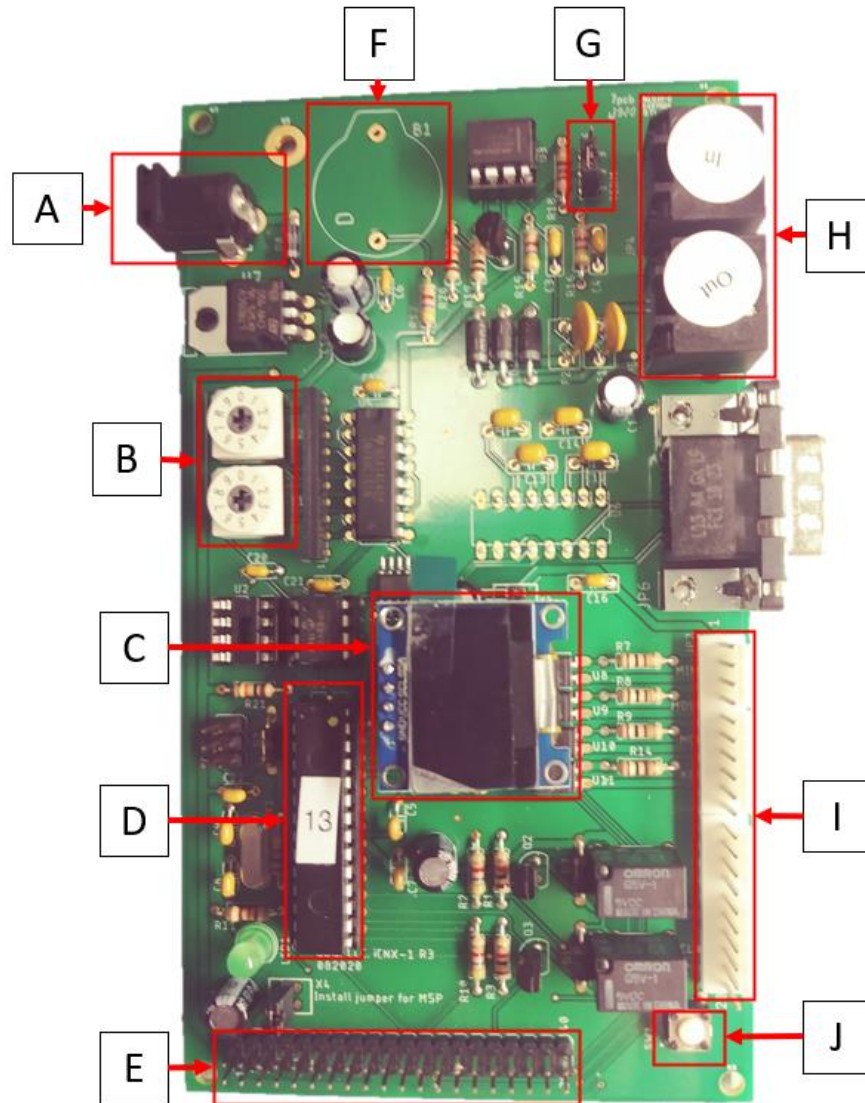
2. ICONNECT Wire Harness, CAT5 Ethernet Cable, and a **small** Phillips Screwdriver.





# MAX CONNECT INSTALLATION GUIDE

## GAME iConnect Board Diagram

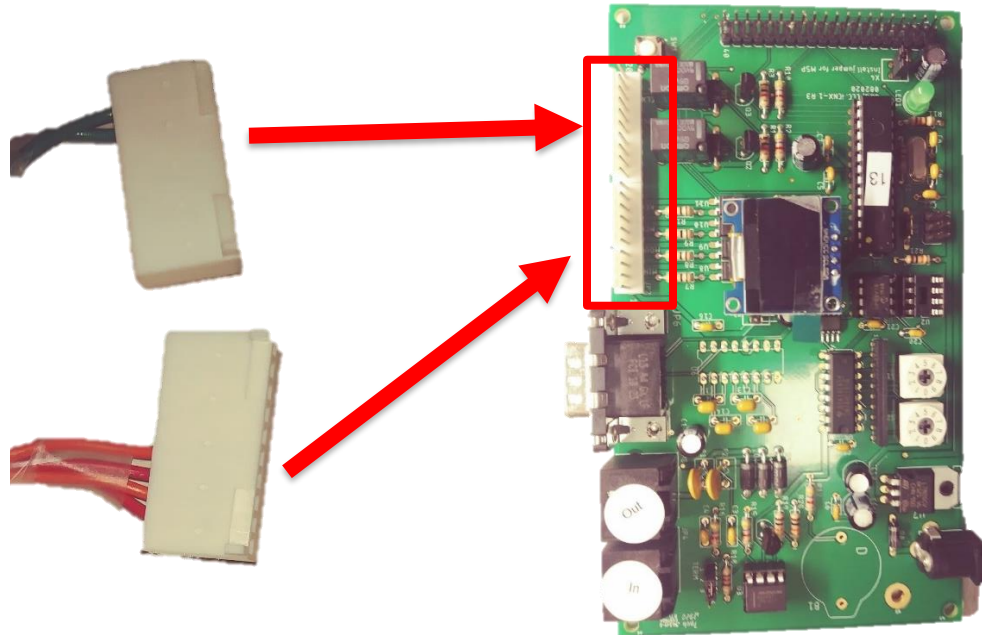


- A. +9VDC Power Connector
- B. Rotary Switches Set Game Positions
- C. iConnect GAME Display
- D. U1 CPU Chip
- E. Ribbon Connector to Pi Board. **NOT USED FOR GAME iConnect**
- F. Real Time Clock. **POS ONLY.**
- G. Terminal Jumper Pins 1 & 2 CAPPED for Last Game in Daisy-Chain
  - a. **If NOT LAST GAME**, Terminal Jumper Pins 2 & 3 are CAPPED
- H. RJ 45 Connectors for R5485 Network. "Daisy Chain" Games Together
- I. ICONNECT Wire Harness Port
- J. SW1 Micro Button

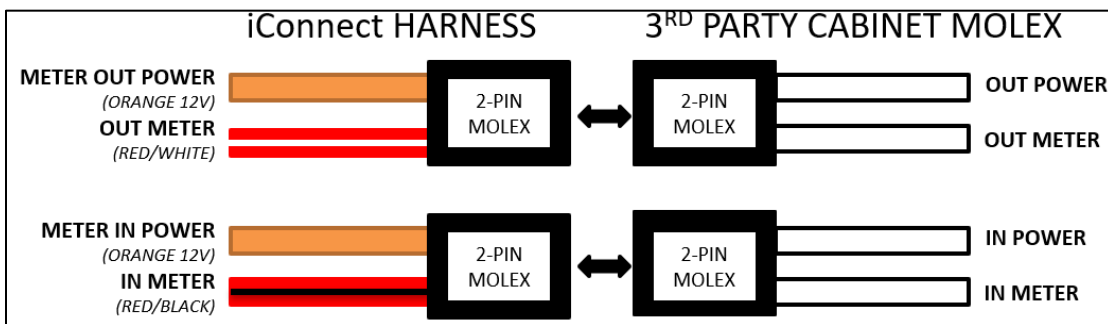
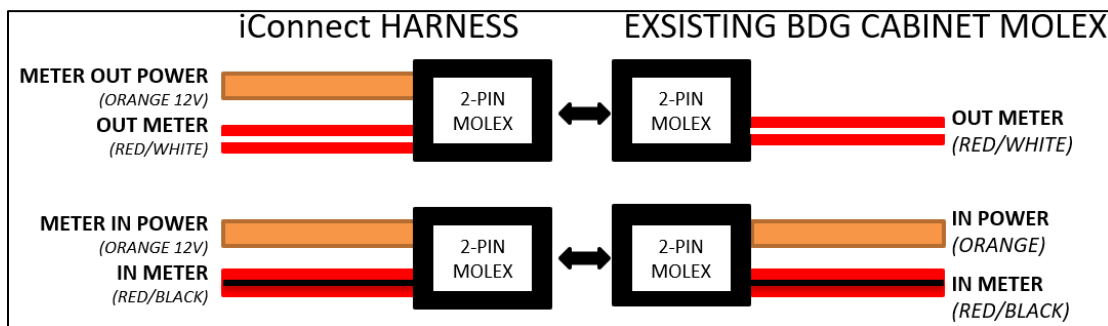
# MAX CONNECT INSTALLATION GUIDE

## Setting up the MAX CONNECT GAME System

1. Connect the iConnect Wire Harness Power Supply (Green & Orange) to the GAME iConnect Board Pins

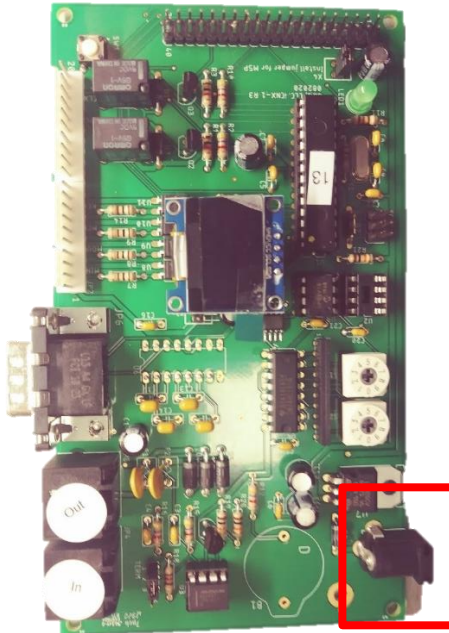


2. Connect iConnect Meter In (Red/Black) to GAME's Meter In Molex Connector.
3. Connect iConnect Meter Out (Red/White) to GAME's Meter Out Molex Connector.
4. Connect iConnect Ticket Out Button (Green) to GAME's Ticket Out Switch Connection.

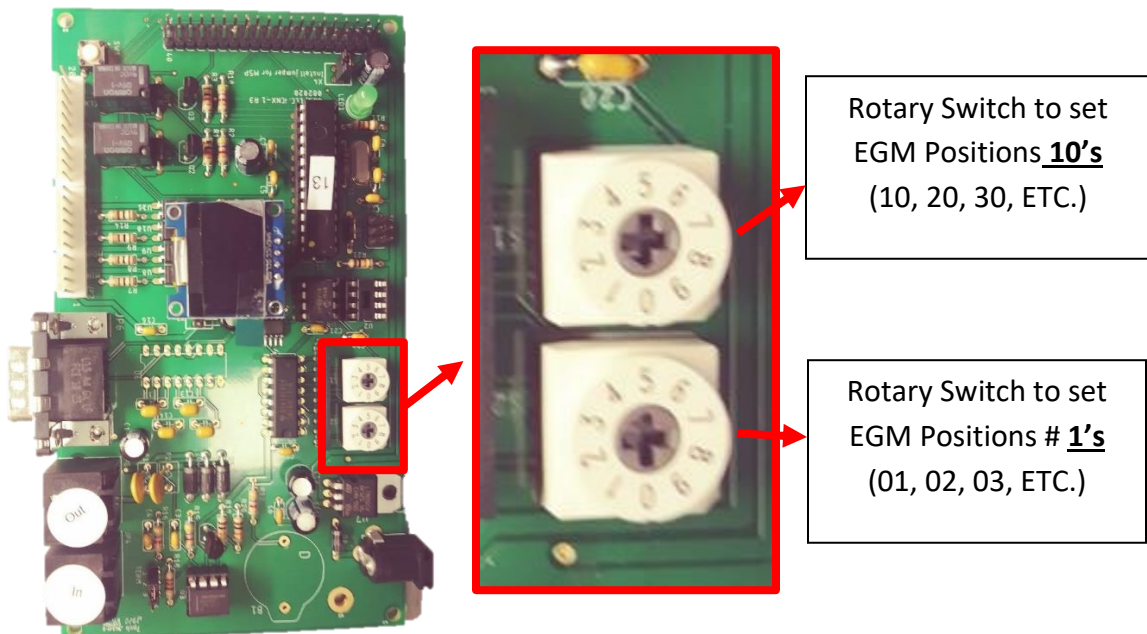


# MAX CONNECT INSTALLATION GUIDE

5. Install the GAME iConnect Power Supply



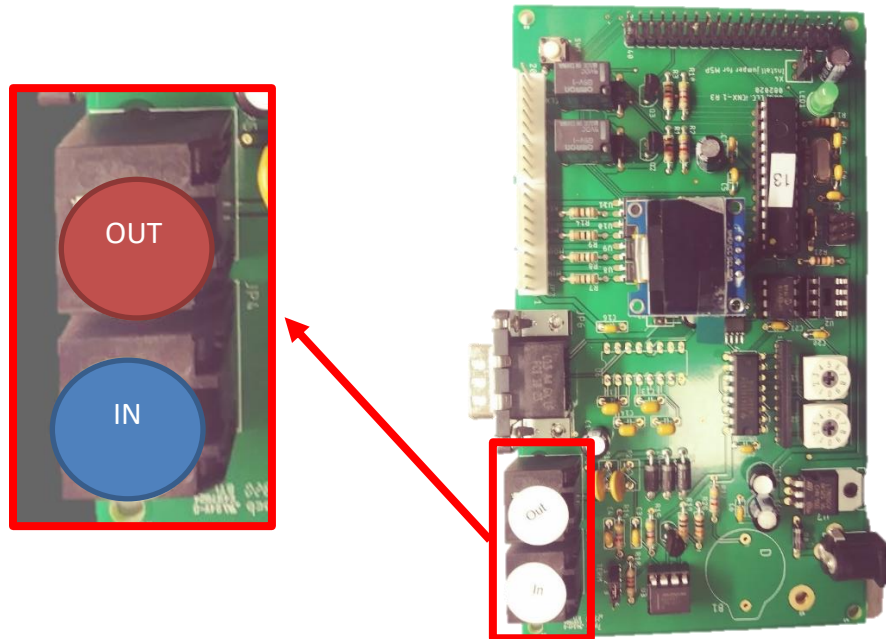
6. With the small Phillips screwdriver, set the Game Dials on the GAME iConnect Board to the corresponding GAME #.



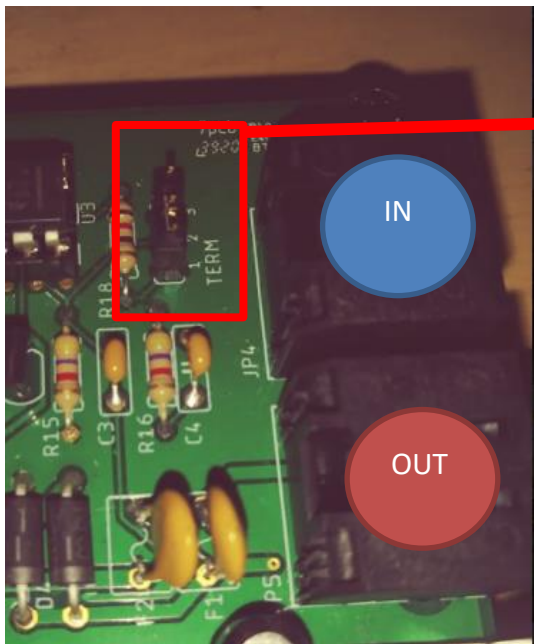
As you turn the Phillips screwdriver on the rotary dial, the GAME # on the iConnect Display will change numbers.

## MAX CONNECT INSTALLATION GUIDE

7. Install the CAT5 Cable to the GAME iConnect Board's IN and OUT ports.



8. MAX CONNECT Single GAME setup is **PARTIALLY COMPLETED**. Follow the same steps as needed for additional GAMES.
9. In the **LAST GAME iConnect Board**, the Terminal Pin 1 and 2 **MUST BE CAPPED ON**.



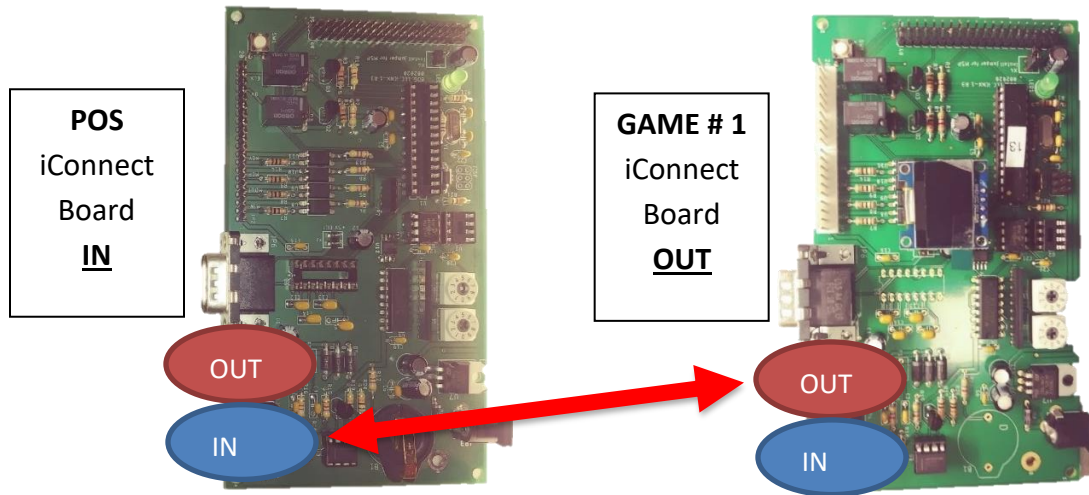
**LAST iCONNECT  
BOARD TERMINAL  
PIN 1 & 2 CAPPED  
AND PIN 3 EXPOSED.**

**10. MAX CONNECT  
GAME SETUP  
COMPLETED.**

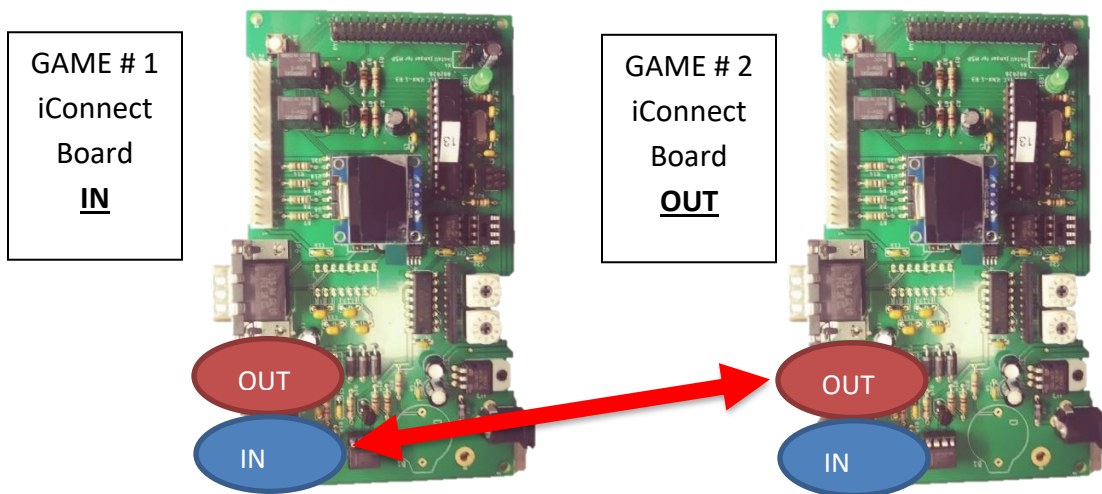
# MAX CONNECT INSTALLATION GUIDE

## Daisy-Chaining MAX CONNECT POS to GAME to GAME

1. From the **POS's IN Port**, connect the CAT5 to the **FIRST GAME's OUT Port**.



2. From the **FIRST GAME's IN Port**, connect the CAT5 to the **SECOND GAME's OUT Port**.



3. Continue as needed for additional GAME installation.
4. In the **LAST GAME's iConnect Board**, only the **IN Ethernet Port** is connected with the OUT Ethernet Port **UNUSED**. Reminder to ensure that the **TERMINAL PIN 1 and 2 are CAPPED** with **TERMINAL PIN 3 EXPOSED** in the **LAST GAME iConnect Board**.
5. On the POS in ADMIN PAGE 1, set the Game Count for the # of iConnect Boards connected and REBOOT.

## MAX CONNECT INSTALLATION GUIDE

---

6. On the POS display, All of the GAME boxes should light up.

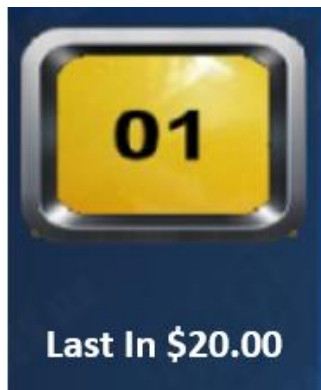


**"OFFLINE"**

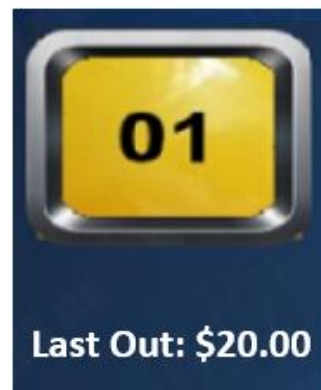


**"ONLINE"**

7. If the GAME boxes are grayed out "OFFLINE" on the POS. Review Troubleshooting *POS still shows GAME boxes grayed out "Offline"*
8. Insert credits to each GAME and ensure that the POS is recording Money In and Money Out.



**"CASH IN"**

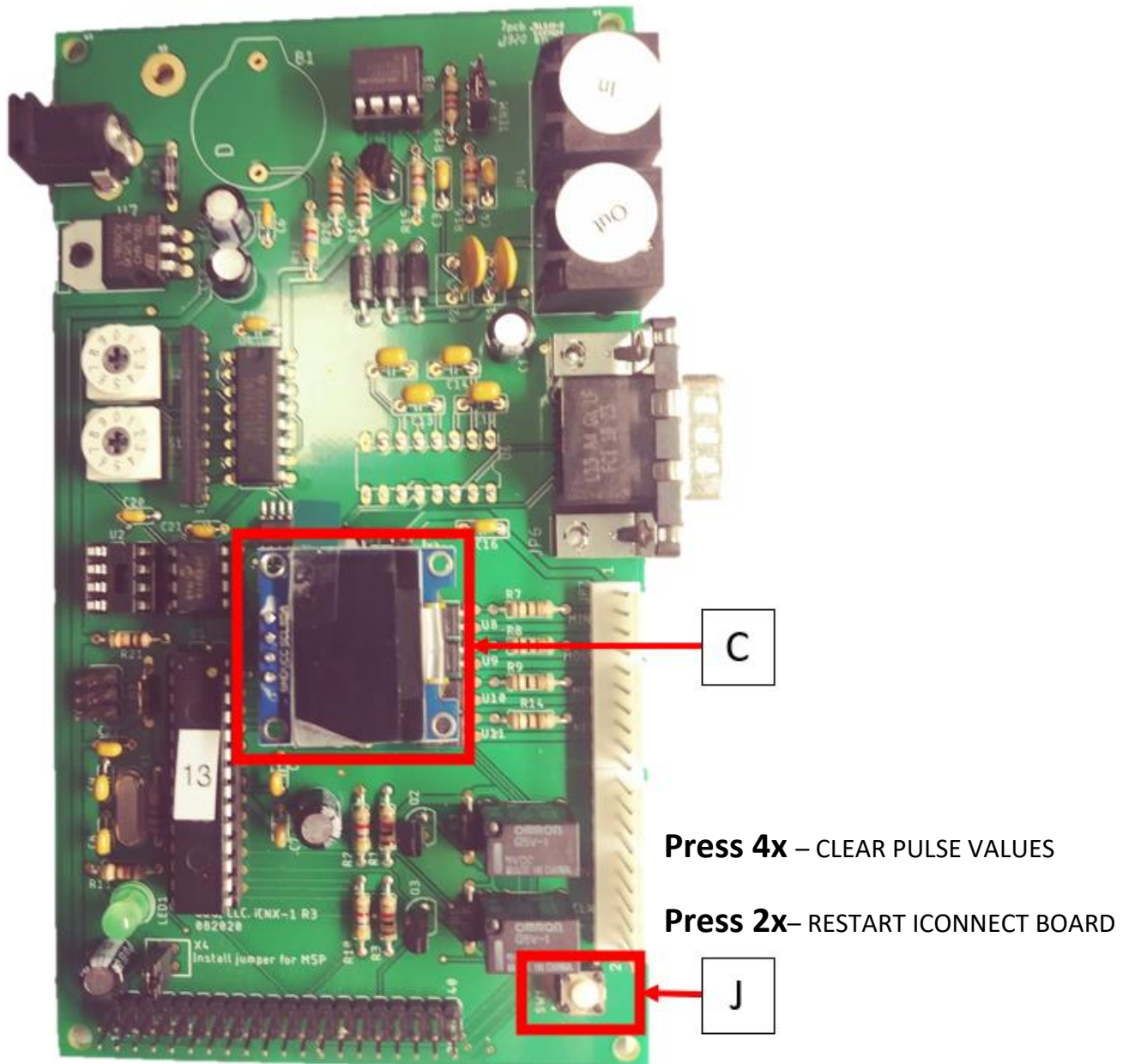


**"CASH OUT"**

9. Daisy-Chaining MAX CONNECT GAMES **COMPLETED.**

# MAX CONNECT INSTALLATION GUIDE

## Reset GAME iConnect Board Display Pulse Values



To **CLEAR** the iConnect Display screen of current Pulse Values (C), press the **SW1 Micro Button** (J) four times. You should get the verification code “PB4”. The iConnect Display Pulse Values are now cleared.

To **RESTART** the iConnect Board, press the **SW1 Micro Button** (J) two times. You should get the verification code “PB2”. The iConnect Display is now power reset, retaining its Display Pulse Values.





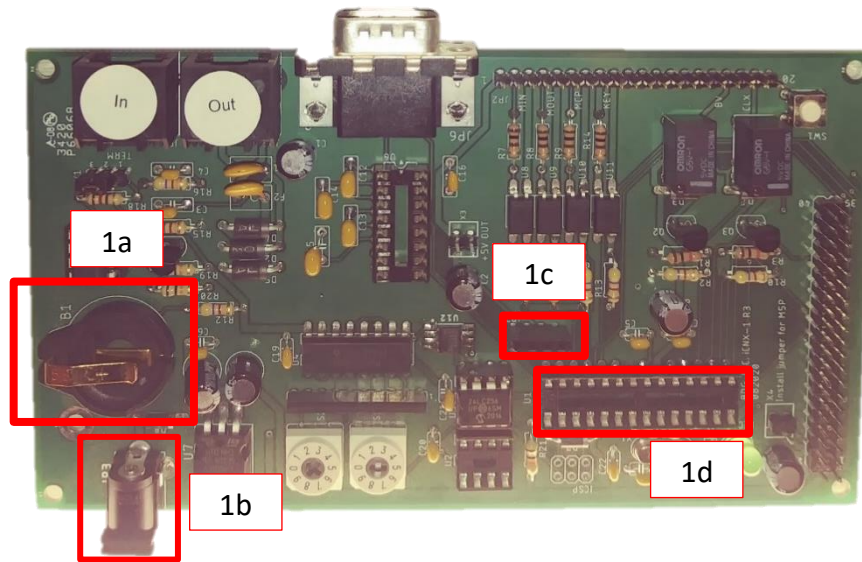


# **POS iConnect INSTALLATION**

# MAX CONNECT INSTALLATION GUIDE

## Items Required for the POS Setup

1. iConnect Board setup for POS.
  - a. RTC Clock
  - b. Power Supply **NOT** installed
  - c. iConnect Display **NOT** installed
  - d. U1 Chip **NOT** installed



2. Pi Board with MAX CONNECT OS Micro SD installed and Pi Power Supply

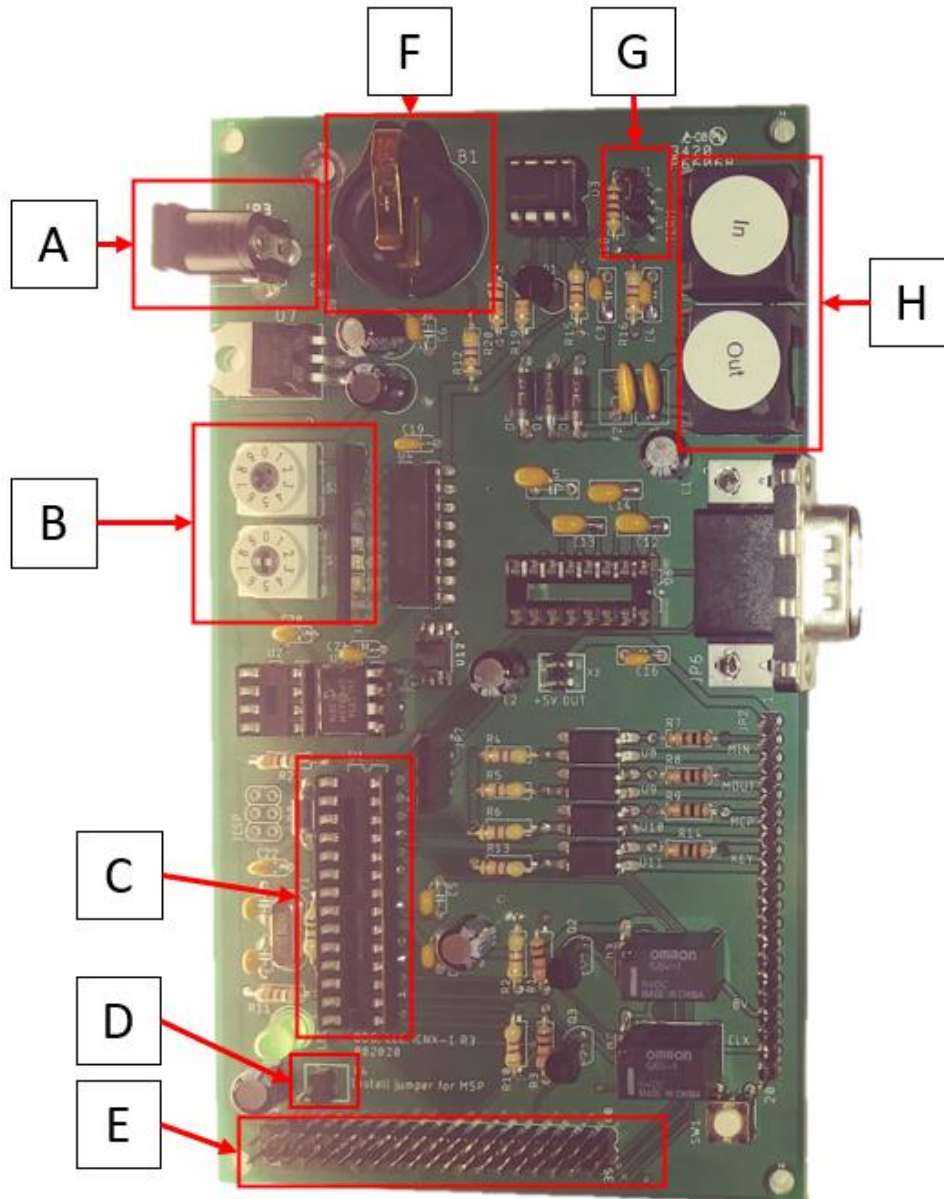


3. iConnect to Pi Harness & CAT5 Ethernet Cable



# MAX CONNECT INSTALLATION GUIDE

## POS iConnect Board Diagram



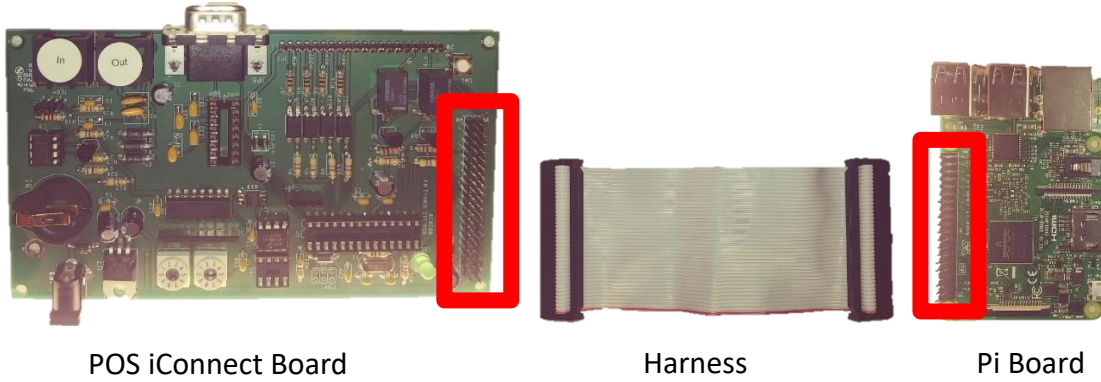
- A. +9VDC Power Connector. **NOT USED IN THE POS.**
- B. Rotary Switches Set Game Positions (*BOTH SET TO 0*)
- C. Remove U1 for POS
- D. Jumper Across Pins for POS
- E. Ribbon Connector to Pi Board
- F. Real Time Clock. **POS ONLY.**
- G. Terminal Jumper Pins 2 & 3 Capped
- H. RJ 45 Connectors for RS 232 Network. "Daisy Chain" Games Together

# MAX CONNECT INSTALLATION GUIDE

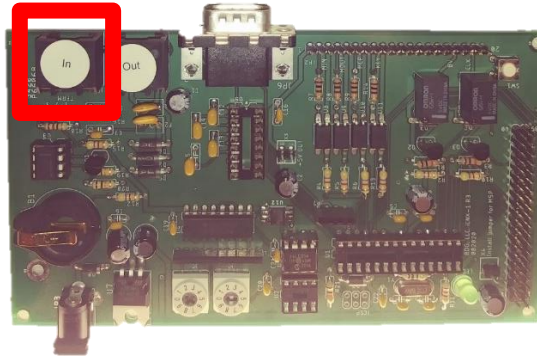
---

## Setting up the MAX CONNECT POS System

1. Connect the Harness to both the iConnect Board and Pi Board.



2. Plug in the CAT5 cable in the **IN** port of the POS iConnect Board.



3. Install the Pi Power Supply



4. MAX CONNECT POS setup is **COMPLETE!**



---

# MAX CONNECT INSTALLATION GUIDE

---

## TROUBLESHOOTING

### I don't remember my Operator User Login Password

Default logins for the following SYSTEMS

	Attendant	Location	Operator	Admin
BASIC	N/A	1013 1111	1012 1111	N/A
STANDARD	1014 1111	1013 1111	N/A	1001 1111
ADVANCED	1014 1111	1013 1111	N/A	1001 1111

### POS will not boot up

Ensure that the POS's iConnect Board does not have the U1 chip installed.

### POS shows Error #7 Code

The Big Daddy License Key has expired. Please call our office during business hours to renew the MAX CONNECT License Key.

### POS is "stuck" and unable to exit from current page

Ensure that the POS's iConnect Board Power supply is not installed. The POS iConnect Board is powered by the connected Pi board. Reboot as needed.

### POS still shows GAME boxes grayed out "Offline"

1. Verify that the GAME iConnect Board Display is not displaying OFFLINE.
2. Verify that the GAME IN / OUT are correctly Daisy-Chained and not loose.
3. Verify that the GAME Display screen on the iConnect board is not duplicated with another GAME and is displaying the correct GAME # sequence.
4. Verify that the **OFFLINE** iConnect 2 & 3 Terminal Pins are correctly CAPPED.
5. Verify that the **LAST GAME's** iConnect 1 & 2 Terminal Pins are correctly CAPPED.
6. Verify that the iConnect Display is "flashing" the IN/OUTs "L" and "V". If not "flashing", iConnect is locked-up and needs the power plug pulled and re-plugged to restart. iConnect should reboot ONLINE and no longer read OFFLINE. Restart the POS, both iConnect board and POS should be ONLINE.

### POS is not recognizing the new GAME connection installed

1. Very in Admin Page 1 that GAME COUNT is set to the desired number of GAMES connected.
2. Reboot POS after changing GAME COUNT.

---

## MAX CONNECT INSTALLATION GUIDE

---

### POS is “stuck” in the BDG Logo Blue Screen after Micro-SD Card Replacement



1. If you have a Printer installed, power off the unit and reboot the POS.
2. After POS reboot, go to the ADMIN PAGE 1 Setting and change the printer to the correct printer installed.
3. Reboot once more with the Printer ON and the POS should boot up normally.

### POS is endlessly waiting on GAME Pulses after Cash Out

1. Verify that the GAME's Attendant Knockoff screen is cleared, the POS is unable to CLEAR GAMES if they have Attendant Knockoff option enabled.
2. If the GAME still has credits, press the GAME COLLECT button to clear.
3. Verify that the POS Printer has paper loaded.

### POS is unable to Cash Out Game from the POS screen

1. Verify that the iConnect TICKET OUT Harness is hooked up correctly to the Game Cabinet's TICKET OUT harness (ref iConnect Harness Diagram).
2. Reboot the POS and trouble iConnect board (ref Reset GAME iConnect Board Display Pulse Values).
3. Contact TECH-DIRECT for harness replacement if issue is not resolved.

### POS is waiting for Meter Pulses from GAME with ZERO Credits

The prompt will close out after a few minutes and return to normal state.

# MAX CONNECT INSTALLATION GUIDE

## iConnect Harness Diagram

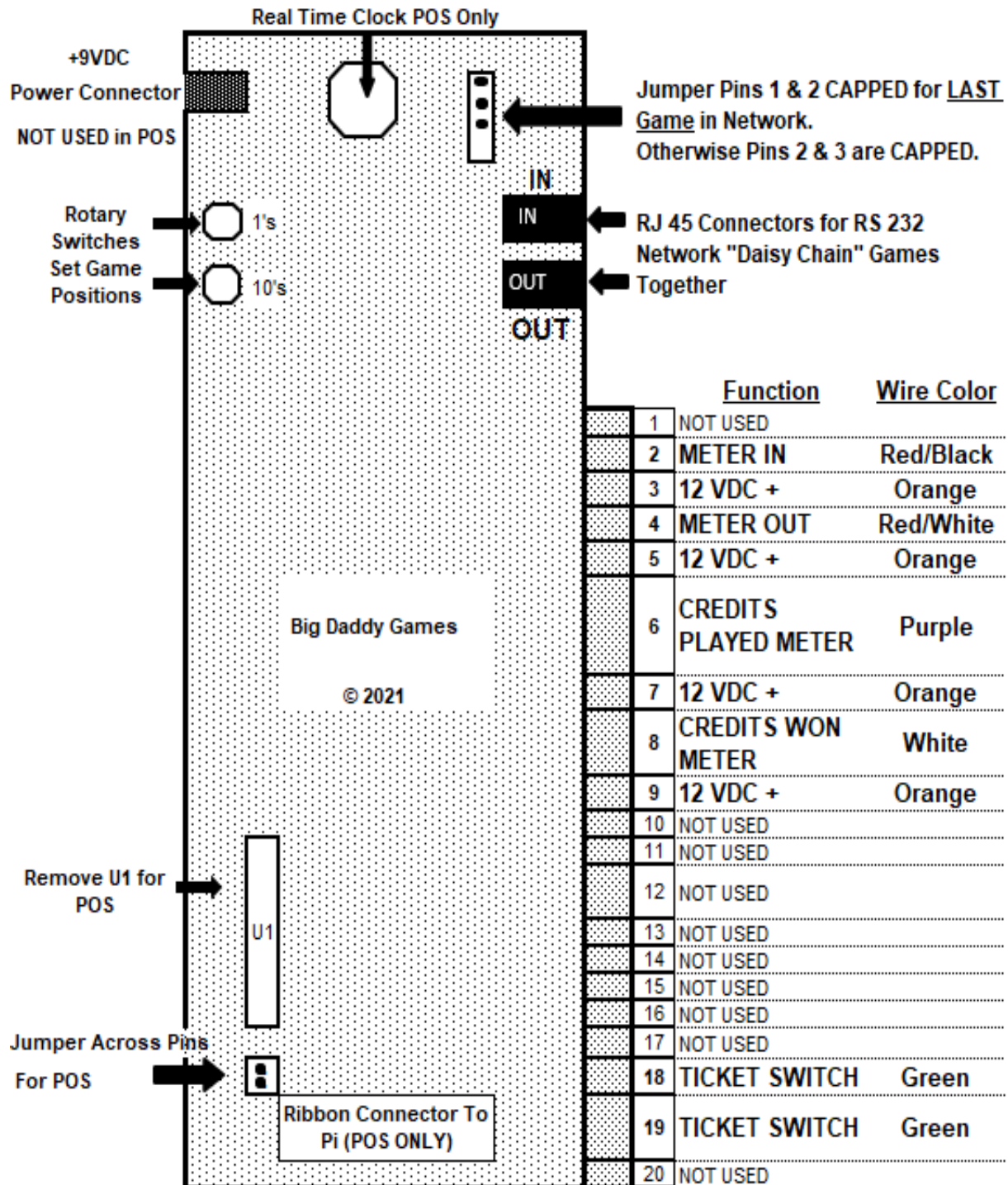


	Function	Wire Color
1	NOT USED	
<b>2</b>	<b>METER IN</b>	<b>Red/Black</b>
<b>3</b>	<b>12 VDC +</b>	<b>Orange</b>
<b>4</b>	<b>METER OUT</b>	<b>Red/White</b>
<b>5</b>	<b>12 VDC +</b>	<b>Orange</b>
<b>6</b>	<b>CREDITS PLAYED METER</b>	<b>Purple</b>
<b>7</b>	<b>12 VDC +</b>	<b>Orange</b>
<b>8</b>	<b>CREDITS WON METER</b>	<b>White</b>
<b>9</b>	<b>12 VDC +</b>	<b>Orange</b>
10	NOT USED	
11	NOT USED	
12	NOT USED	
13	NOT USED	
14	NOT USED	
15	NOT USED	
16	NOT USED	
17	NOT USED	
<b>18</b>	<b>TICKET SWITCH</b>	<b>Green</b>
<b>19</b>	<b>TICKET SWITCH</b>	<b>Green</b>
20	NOT USED	



# MAX CONNECT INSTALLATION GUIDE

## iConnect Board and Wire Harness Diagram



Visit us at [www.bigdaddygames.net](http://www.bigdaddygames.net) for the latest and newest GAMES available for your Market!

OPERATORS LOG-IN TODAY for the latest Service Bulletin News and Software Updates!



# TECH - DIRECT

**920.850.7409**

**After Hours of Support Service Calls:**

**MONDAY - THURSDAY** Close of business **4:15PM - 8PM**  
**FRIDAY** Close of business **3PM - 8PM**  
**SATURDAY** **10AM - 6PM**  
**SUNDAY** **Noon - 4PM**  
*\*Except Holidays\**

**Service Support during business hours**  
**(920) 727-5508 ext. 176 OR (920) 850-7409**

733 Midway Rd. Menasha, WI 54952  
[bigdaddygames.net](http://bigdaddygames.net)



# Big Daddy Games LLC



Big Daddy Games LLC  
733 Midway Road  
Menasha, WI 54952

TEL: (920) 727-5508

[www.bigdaddygames.net](http://www.bigdaddygames.net)  
[sales@bigdaddygames.net](mailto:sales@bigdaddygames.net)

**CALL FOR SERVICE NOW!**

**TECH-DIRECT**

**(920) 850-7409**

After Hours of Support Service Calls

Monday – Thursday	4:15 PM	-	8 PM
Friday	3 PM	-	8 PM
Saturday	10 AM	-	6 PM
Sunday	Noon	-	4 PM